



AL-FARES INTERNATIONAL CO.
STEEL INDUSTRY & SCAFFOLDING

Al Fares International Co.

Cup Lock Scaffolding.

1, Cup Lock Standard



Made by 48.3 mm ϕ x 3.2 mm thickness steel tube,

(STEEL GRADE ASTM A53 GRADE A)

Available standard sizes.

1, 3.50 m

2, 3.00 m

3, 2.50 m

4, 2.00 m

5, 1.50 m

6, 1.00 m

We can make any size according to our client requirement.

2, Cup Lock Ledger



Made by 48.3 mm ϕ x 3.00 mm thickness steel tube , (STEEL GRADE ASTM A53 GRADE A) in special case we will make 3.20 mm thk as per the client requirement

Available standard sizes.

1, 3.00 m

2, 2.50 m

3, 2.00 m

4, 1.80 m

5, 1.60 m

6, 1.50 m

7, 1.35 m

8, 1.30 m

9, 1.20 m

10, 1.00 m

11, 0.90 m

12, 0.60 m

We can make any size according to our client requirement.



AL-FARES INTERNATIONAL CO.
STEEL INDUSTRY & SCAFFOLDING

Al Fares International Co.

Cup Lock Scaffolding.

3, Intermediate Transom

Made by 48.3 mm ϕ x 3.00 mm thickness steel tube , (STEEL GRADE ASTM A53 GRADE A)

in special case we will make 3.20 mm thk as per the client requirement

Available standard sizes.

- 1, 3.00 m
- 2, 2.50 m
- 3, 2.00 m
- 4, 1.80 m
- 5, 1.60 m
- 6, 1.50 m
- 7, 1.35 m
- 8, 1.30 m
- 9, 1.20 m
- 10, 1.00 m
- 11, 0.90 m
- 12, 0.60 m



4, Cantilever Frame

Made by 48.3 mm ϕ x 3.00 mm thickness steel tube , (STEEL GRADE ASTM A53 GRADE A) in special case we will make 3.20 mm thk as per the client requirement

Available standard sizes.

- 1, 1.20 m
- 2, 0.60 m

We can make any size according to our client requirement.





AL-FARES INTERNATIONAL CO.
STEEL INDUSTRY & SCAFFOLDING

Al Fares International Co.

Cup Lock Scaffolding.

5, Fork Head



Designed to provide height adjustment to structure by fitting on the universal jack when constructing with timber or aluminium (Single or Double) Maximum width 170 mm

6, U head



Designed to provide height adjustment to structure by fitting on the universal jack when constructing with timber or aluminium (Single or Double) Maximum width 170 mm



AL-FARES INTERNATIONAL CO.
STEEL INDUSTRY & SCAFFOLDING

Al Fares International Co.

Cup Lock Scaffolding.

7, Universal jack (Galvanized)



A Universal jack provides an adjustment option at either the top or the lower end of a scaffold support structure

Available Sizes

1, 0.65 m X 38 mm ϕ X 4 mm Thk / (Solid)

2, 0.75 m X 38 mm ϕ X 4 mm Thk / (Solid)

8, Base jack (Galvanized)



A Base jack provide an adjustment option for the base of the standard post.

Available Sizes

1, 0.65 m X 38 mm ϕ X 4 mm Thk / (Solid)

2, 0.75 m X 38 mm ϕ X 4 mm Thk / (Solid)



AL-FARES INTERNATIONAL CO.
STEEL INDUSTRY & SCAFFOLDING

Al Fares International Co.

Cup Lock Scaffolding.

9,U Head jack (Galvanized)



Designed to provide height adjustment to structure when constructing with timber or aluminium (Single or Double) Maximum width 170 mm

Available Sizes

1, 0.65 m X 38 mm ϕ X 4 mm Thk / (Solid)

2, 0.75 m X 38 mm ϕ X 4 mm Thk / (Solid)

10,Spigot Connector (Galvanized)



This is used for connecting 2 Vertical Standard

Available Sizes

1, 0.24 m X 30 X 30 mm(Square tube) X 3 mm Thk

2, 0.30 m X 30 X 30 mm(Square tube) X 3 mm Thk



AL-FARES INTERNATIONAL CO.
STEEL INDUSTRY & SCAFFOLDING

Al Fares International Co.

Cup Lock Scaffolding.

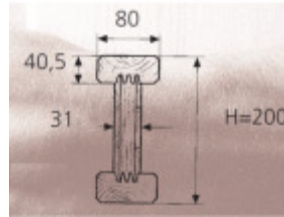
11, S 20 Beam



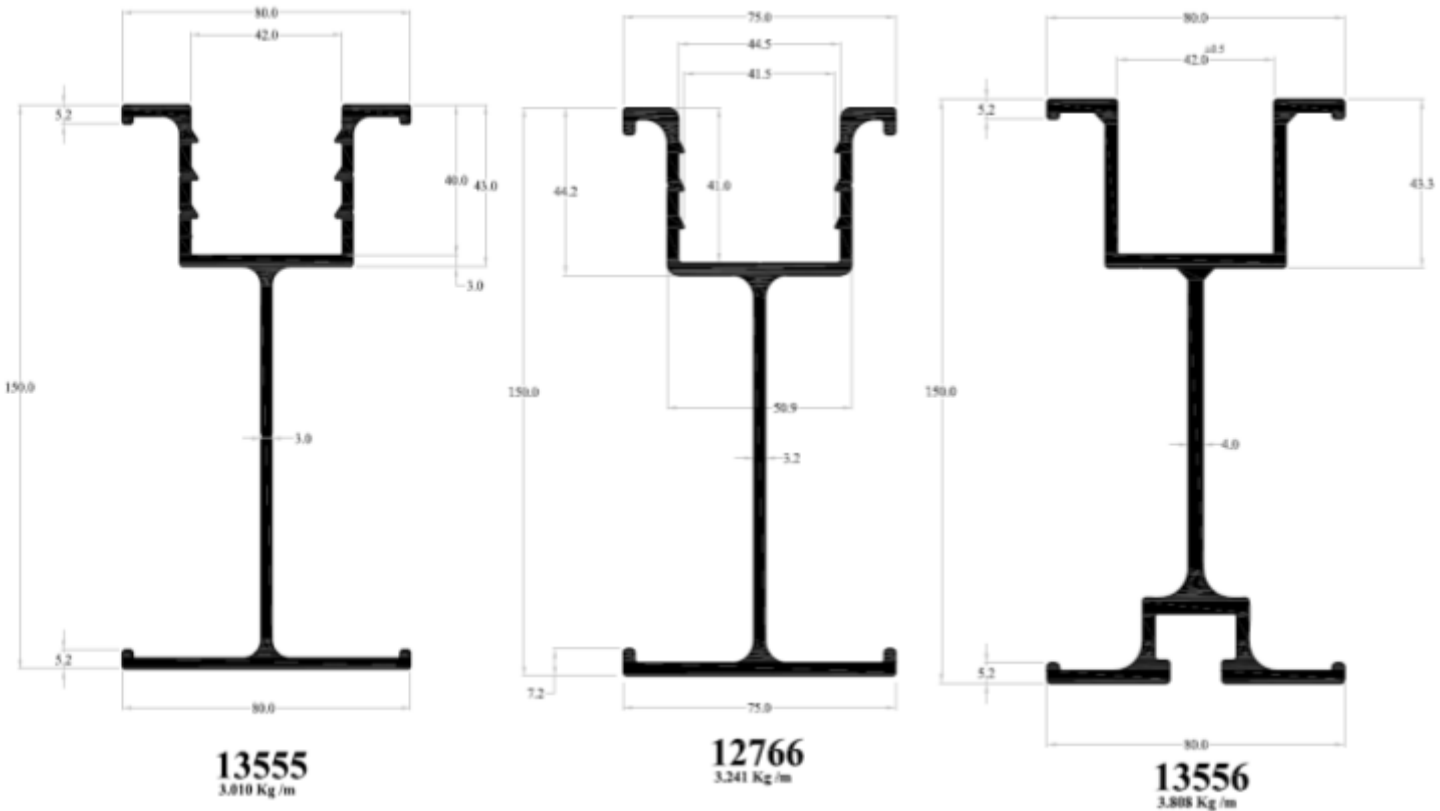
S 20 Beam Used for shuttering of Slab, Beam & Wall

Available Sizes

- 5.90 m
- 4.90 m
- 3.90 m
- 3.45 m
- 2.90 m
- 2.45 m
- 1.90 m
- 1.45 m
- 1.30 m
- 1.20 m



12, Aluminium Beam

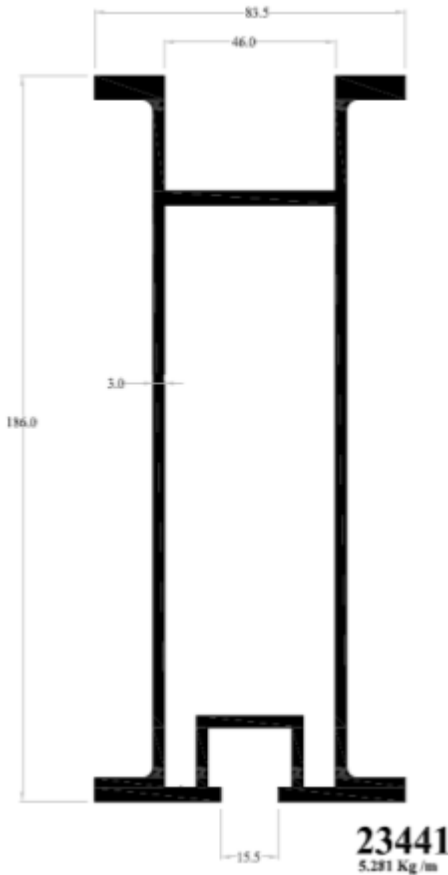




AL-FARES INTERNATIONAL CO.
STEEL INDUSTRY & SCAFFOLDING

Al Fares International Co.

Cup Lock Scaffolding.



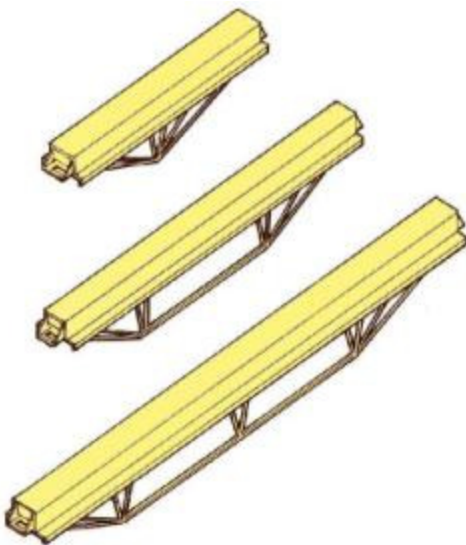
Aluminium Beam used for shuttering of Slab, Beam & Wall

Available Standard Sizes

- 1, 9.00 m
- 2, 6.00 m
- 3, 5.00 m
- 4, 3.50 m
- 5, 3.00 m
- 6, 2.50 m
- 7, 2.00 m
- 8, 1.50 m
- 9, 1.00 m

We can make any size according to our client requirement.

13, Decking Beam



This Beams are fabricated from high quality steel. Are light weight and include 100 mm top flange. The ends are provided with heavy duty pressing to ensure on – site protection from damage. A tongue location has also been provided for seating the drop head

Available Standard Sizes

- 1, 2.50 m
- 2, 1.80 m
- 3, 1.20 m



AL-FARES INTERNATIONAL CO.
STEEL INDUSTRY & SCAFFOLDING

Al Fares International Co.

Cup Lock Scaffolding.

14, Infill Beam

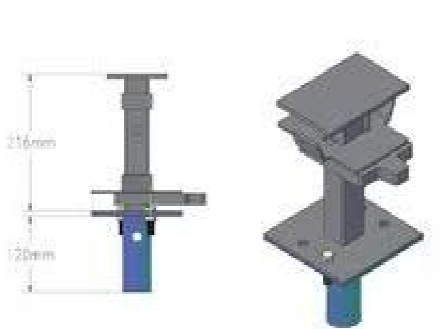


Infill beam provide skeletal support for ply wood decking beams and infill beam shoe.

Available Standard Sizes

- 1, 1.70 m
- 2, 1.50 m
- 3, 1.20 m
- 4, 0.90 m

15, Drop head



It comprises of a primary head that remains in contact with the concrete slab and secondary head which permits early striking the smoothly operated drop head fits on CUP LOCK Scaffolding



AL-FARES INTERNATIONAL CO.
STEEL INDUSTRY & SCAFFOLDING

Al Fares International Co.

Cup Lock Scaffolding.

16, Prop Jacks



Designed in keeping with British standards these adjustable props/struts are of high grade steel. These props provide the ideal and most economic method of support for all kinds of slabs & beams

Available Standard Sizes

1, 2.00 m X (2 mm Thk L/d) or (3.20 mm Thk H/d)

2, 3.00 m X (2 mm Thk L/d) or (3.20 mm Thk H/d)

3, 3.50 m X (2 mm Thk L/d) or (3.20 mm Thk H/d)

4, 4.00 m X (2 mm Thk L/d) or (3.20 mm Thk H/d)

5, 5.00 m X (2 mm Thk L/d) or (3.20 mm Thk H/d)

6, 6.00 m X (2 mm Thk L/d) or (3.20 mm Thk H/d)

We can make any size and any thickness according to our client requirement.

17, Single Push pull prop



Designed in keeping with British standards these adjustable props/struts are of high grade steel. These props provide the ideal and most economic method of support for all kinds of walls & Columns

Available Standard Sizes

1, 4.00 m X (3.20 mm Thk L/d) or (4.00 mm Thk H/d)

2, 5.00 m X (3.20 mm Thk L/d) or (4.00 mm Thk H/d)

3, 6.00 m X (3.20 mm Thk L/d) or (4.00 mm Thk H/d)

We can make any size and any thickness according to our client requirement.



AL-FARES INTERNATIONAL CO.
STEEL INDUSTRY & SCAFFOLDING

Al Fares International Co.

Cup Lock Scaffolding.

18, Double Push pull prop



Designed in keeping with British standards these adjustable props/struts are of high grade steel. These props provide the ideal and most economic method of support for all kinds of walls & Columns

Available Standard Sizes

1, 4.00 m X (3.20 mm Thk L/d) or (4.00 mm Thk H/d)

2, 5.00 m X (3.20 mm Thk L/d) or (4.00 mm Thk H/d)

3, 6.00 m X (3.20 mm Thk L/d) or (4.00 mm Thk H/d)

We can make any size and any thickness according to our client requirement.

19, Turn buckle prop



These props provide the ideal and most economic method of support for all kinds of walls & Columns

Available Standard Sizes

1, 4.00 m X (5.00 mm Thk H/d)

2, 5.00 m X (5.00 mm Thk H/d)

3, 6.00 m X (5.00 mm Thk H/d)

4, 10.00 X (5.00 mm Thk H/d)

We can make any size and any thickness according to our client requirement.



AL-FARES INTERNATIONAL CO.
STEEL INDUSTRY & SCAFFOLDING

Al Fares International Co.

Cup Lock Scaffolding.

20, Steel Board



Made of 2.0 mm thickness steel

Available Standard Sizes

- 1, 3.00 m
- 2, 2.50 m
- 3, 2.00 m
- 4, 1.80 m
- 5, 1.60 m
- 6, 1.50 m
- 7, 1.35 m
- 8, 1.30 m
- 9, 1.20 m
- 10, 1.00 m
- 11, 0.90 m
- 12, 0.60 m

We can make any size and any thickness according to our client requirement.

21, Wooden Plank



Scaffolding wooden Plank 38 mm x 225 mm

Available Standard Sizes

- 1, 4.00 m
- 2, 3.00 m
- 3, 2.00 m
- 4, 1.00 m

We can make any size and any thickness according to our client requirement.



AL-FARES INTERNATIONAL CO.
STEEL INDUSTRY & SCAFFOLDING

Al Fares International Co.

Cup Lock Scaffolding.

22, OSHA approved LVL Plank



Scaffolding wooden Plank 38 mm x 225 mm
Different made are available (China,Finland & USA)

Available Standard Sizes

- 1, 4.00 m
- 2, 3.00 m
- 3, 2.00 m
- 4, 1.00 m

We can make any size and any thickness according to our client requirement.

23, Fixed steel Column panel



Made with Steel 2 mm steel plate

Available Standard Sizes

- 1, 0.50 m X 0.50 m
- 2, 1.00 m X 1.00 m
- 3, 1.50 m X 1.50 m
- 4, 2.00 m X 2.00 m

We can make any size and any thickness according to our client requirement.



AL-FARES INTERNATIONAL CO.
STEEL INDUSTRY & SCAFFOLDING

Al Fares International Co.

Cup Lock Scaffolding.

24, Fixed steel Circular Column panel



Made with Steel 2 mm bended steel plate

Available Standard Sizes

1, 0.50 m ϕ

2, 1.00 m ϕ

3, 1.50 m ϕ

4, 2.00 m ϕ

We can make any size and any thickness according to our client requirement.

25, Adjustable steel Column panel



Made with Steel 2 mm steel plate /Playwood

Available Standard Sizes

1, 0.50 m X 0.50 m

2, 1.00 m X 1.00 m

3, 1.50 m X 1.50 m

4, 2.00 m X 2.00 m

We can make any size and any thickness according to our client requirement.



AL-FARES INTERNATIONAL CO.
STEEL INDUSTRY & SCAFFOLDING

Al Fares International Co.

Cup Lock Scaffolding.

26, Adjustable Wall panel



Made with Steel 2 mm steel plate
/Playwood

Available Standard Sizes

1, 0.50 m X 0.50 m

2, 1.00 m X 1.00 m

3, 1.50 m X 1.50 m

4, 2.00 m X 2.00 m

We can make any size and any
thickness according to our client
requirement.

27, Heavy Duty Wall Formwork panel



Made with Steel 4mm steel plate

We can make any size and any thickness
according to our client requirement.



AL-FARES INTERNATIONAL CO.
STEEL INDUSTRY & SCAFFOLDING

Al Fares International Co.

Cup Lock Scaffolding.

28, Korean Frame

Made with Steel 2mm steel pipe

