



AL-FARES INTERNATIONAL CO.  
STEEL INDUSTRY & SCAFFOLDING

## Al Fares International Co.

### Cup Lock Scaffolding.

#### 1, Cup Lock Standard



Made by 48 mm  $\phi$  x 3.2 mm thickness steel tube ,

Available standard sizes.

1, 3.50 m

2, 3.00 m

3, 2.50 m

4, 2.00 m

5, 1.50 m

6, 1.00 m

We can make any size according to our client requirement.

#### 2, Cup Lock Ledger



Made by 48 mm  $\phi$  x 3.00 mm thickness steel tube , in special case we will make 3.20 mm thk as per the client requirement

Available standard sizes.

1, 3.00 m

2, 2.50 m

3, 2.00 m

4, 1.80 m

5, 1.60 m

6, 1.50 m

7, 1.35 m

8, 1.30 m

9, 1.20 m

10, 1.00 m

11, 0.90 m

12, 0.60 m

We can make any size according to our client requirement.



AL-FARES INTERNATIONAL CO.  
STEEL INDUSTRY & SCAFFOLDING

## Al Fares International Co.

### Cup Lock Scaffolding.

#### 3, Intermediate Transom

Made by 48 mm  $\phi$  x 3.00 mm thickness steel tube , in special case we will make 3.20 mm thk as per the client requirement

##### Available standard sizes.

- 1, 3.00 m
- 2, 2.50 m
- 3, 2.00 m
- 4, 1.80 m
- 5, 1.60 m
- 6, 1.50 m
- 7, 1.35 m
- 8, 1.30 m
- 9, 1.20 m
- 10, 1.00 m
- 11, 0.90 m
- 12, 0.60 m



We can make any size according to our client requirement.

#### 4, Cantilever Frame

Made by 48 mm  $\phi$  x 3.00 mm thickness steel tube , in special case we will make 3.20 mm thk as per the client requirement

##### Available standard sizes.

- 1, 1.20 m
- 2, 0.60 m



We can make any size according to our client requirement.



AL-FARES INTERNATIONAL CO.  
STEEL INDUSTRY & SCAFFOLDING

## Al Fares International Co.

### Cup Lock Scaffolding.

#### 5, Fork Head



Designed to provide height adjustment to structure by fitting on the universal jack when constructing with timber or aluminium (Single or Double) Maximum width 170 mm

#### 6, U head



Designed to provide height adjustment to structure by fitting on the universal jack when constructing with timber or aluminium (Single or Double) Maximum width 170 mm



AL-FARES INTERNATIONAL CO.  
STEEL INDUSTRY & SCAFFOLDING

## Al Fares International Co.

### Cup Lock Scaffolding.

#### **7, Universal jack (Galvanized)**



A Universal jack provides an adjustment option at either the top or the lower end of a scaffold support structure

#### Available Sizes

1, 0.65 m X 38 mm  $\phi$  X 4 mm Thk / (Solid)

2, 0.75 m X 38 mm  $\phi$  X 4 mm Thk / (Solid)

#### **8, Base jack (Galvanized)**



A Base jack provide an adjustment option for the base of the standard post.

#### Available Sizes

1, 0.65 m X 38 mm  $\phi$  X 4 mm Thk / (Solid)

2, 0.75 m X 38 mm  $\phi$  X 4 mm Thk / (Solid)



AL-FARES INTERNATIONAL CO.  
STEEL INDUSTRY & SCAFFOLDING

## Al Fares International Co.

### Cup Lock Scaffolding.

#### 9,U Head jack (Galvanized)



Designed to provide height adjustment to structure when constructing with timber or aluminium (Single or Double) Maximum width 170 mm

#### Available Sizes

1, 0.65 m X 38 mm  $\phi$  X 4 mm Thk / (Solid)

2, 0.75 m X 38 mm  $\phi$  X 4 mm Thk / (Solid)

#### 10,Spigot Connector (Galvanized)



This is used for connecting 2 Vertical Standard

#### Available Sizes

1, 0.24 m X 30 X 30 mm(Square tube) X 3 mm Thk

2, 0.30 m X 30 X 30 mm(Square tube) X 3 mm Thk



AL-FARES INTERNATIONAL CO.  
STEEL INDUSTRY & SCAFFOLDING

## Al Fares International Co.

### Cup Lock Scaffolding.

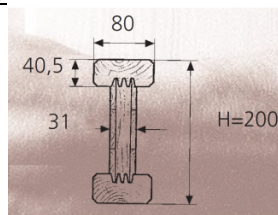
#### 11, S 20 Beam



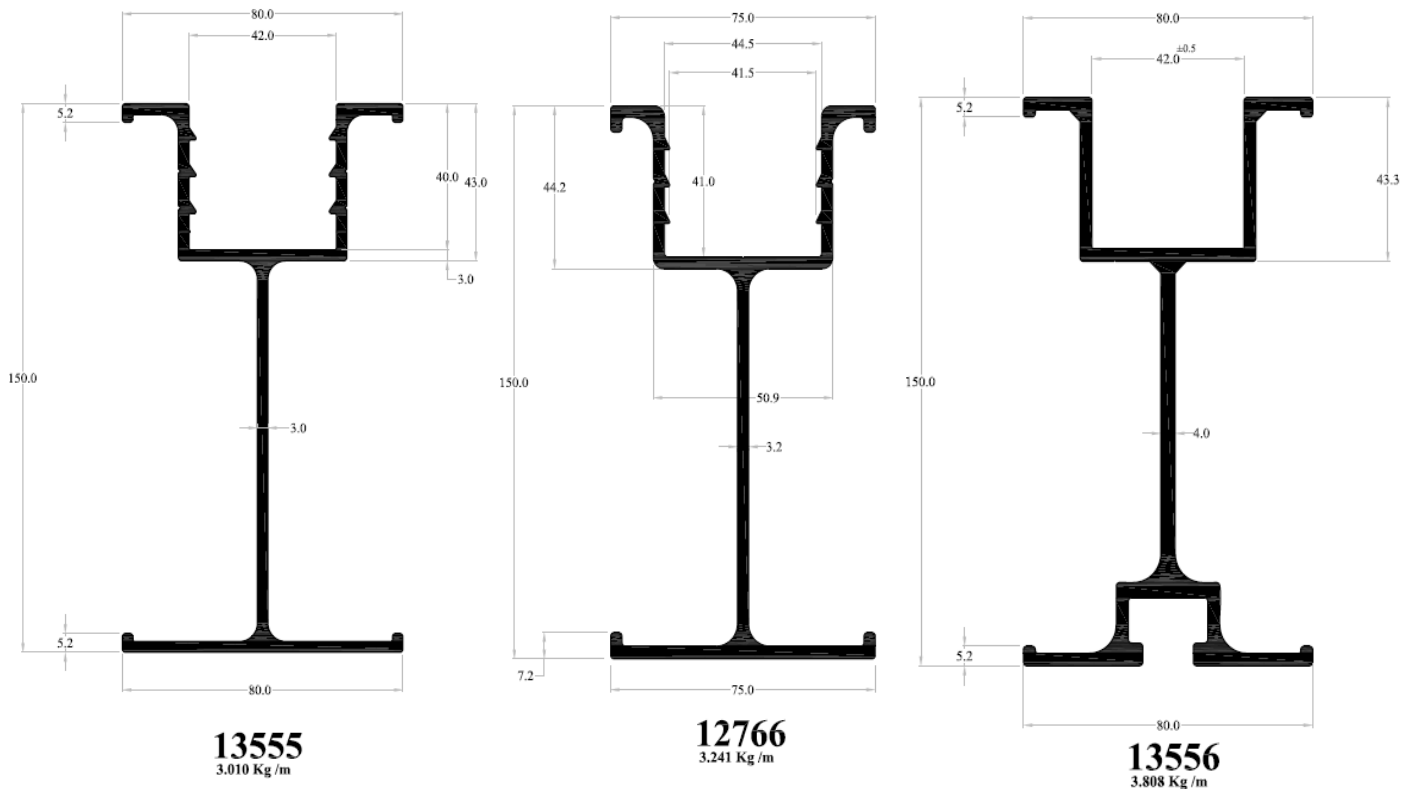
S 20 Beam Used for shuttering of Slab, Beam & Wall

#### Available Sizes

- 5.90 m
- 4.90 m
- 3.90 m
- 3.45 m
- 2.90 m
- 2.45 m
- 1.90 m
- 1.45 m
- 1.30 m
- 1.20 m



#### 12, Aluminium Beam

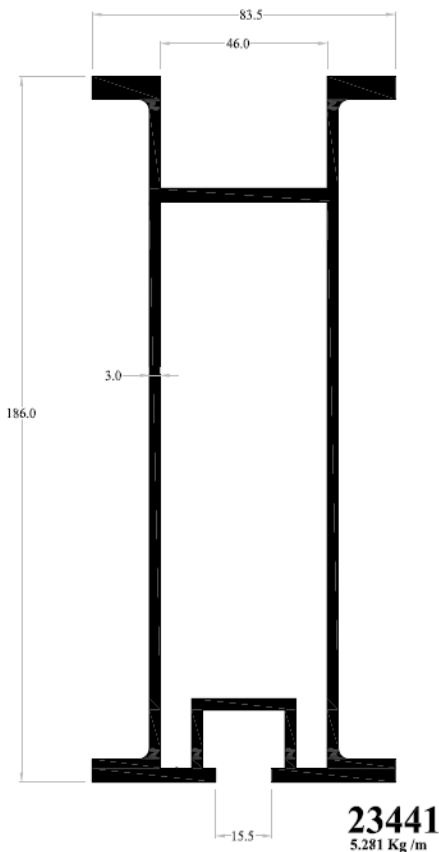




AL-FARES INTERNATIONAL CO.  
STEEL INDUSTRY & SCAFFOLDING

## Al Fares International Co.

### Cup Lock Scaffolding.



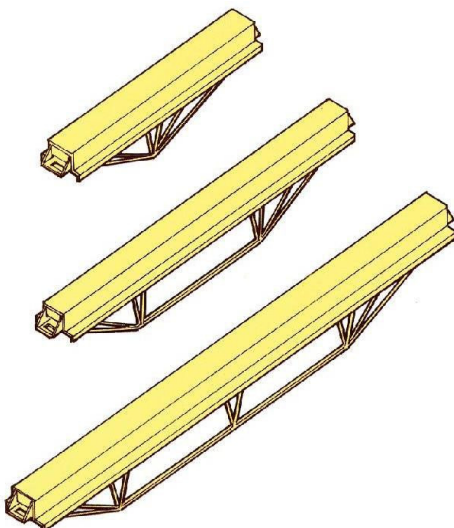
Aluminium Beam used for shuttering of Slab, Beam & Wall

#### Available Standard Sizes

- 1, 9.00 m
- 2, 6.00 m
- 3, 5.00 m
- 4, 3.50 m
- 5, 3.00 m
- 6, 2.50 m
- 7, 2.00 m
- 8, 1.50 m
- 9, 1.00 m

We can make any size according to our client requirement.

### 13, Decking Beam



This Beams are fabricated from high quality steel. Are light weight and include 100 mm top flange. The ends are provided with heavy duty pressing to ensure on – site protection from damage. A tongue location has also been provided for seating the drop head

#### Available Standard Sizes

- 1, 2.50 m
- 2, 1.80 m
- 3, 1.20 m



AL-FARES INTERNATIONAL CO.  
STEEL INDUSTRY & SCAFFOLDING

## Al Fares International Co.

### Cup Lock Scaffolding.

#### 14, Infill Beam

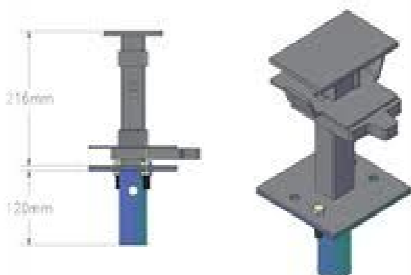


Infill beam provide skeletal support for ply wood decking beams and infill beam shoe.

#### Available Standard Sizes

- 1, 1.70 m
- 2, 1.50 m
- 3, 1.20 m
- 4, 0.90 m

#### 15, Drop head



It comprises of a primary head that remains in contact with the concrete slab and secondary head which permits early striking the smoothly operated drop head fits on CUP LOCK Scaffolding





AL-FARES INTERNATIONAL CO.  
STEEL INDUSTRY & SCAFFOLDING

## Al Fares International Co.

### Cup Lock Scaffolding.

#### **16, Prop Jacks**



Designed in keeping with British standards these adjustable props/struts are of high grade steel. These props provide the ideal and most economic method of support for all kinds of slabs & beams

#### Available Standard Sizes

1, 2.00 m X ( 2 mm Thk L/d) or (3.20 mm Thk H/d)

2, 3.00 m X ( 2 mm Thk L/d) or (3.20 mm Thk H/d)

3, 3.50 m X ( 2 mm Thk L/d) or (3.20 mm Thk H/d)

4, 4.00 m X ( 2 mm Thk L/d) or (3.20 mm Thk H/d)

5, 5.00 m X ( 2 mm Thk L/d) or (3.20 mm Thk H/d)

6, 6.00 m X ( 2 mm Thk L/d) or (3.20 mm Thk H/d)

We can make any size and any thickness according to our client requirement.

#### **17, Single Push pull prop**



Designed in keeping with British standards these adjustable props/struts are of high grade steel. These props provide the ideal and most economic method of support for all kinds of walls & Columns

#### Available Standard Sizes

1, 4.00 m X ( 3.20 mm Thk L/d) or (4.00 mm Thk H/d)

2, 5.00 m X ( 3.20 mm Thk L/d) or (4.00 mm Thk H/d)

3, 6.00 m X ( 3.20 mm Thk L/d) or (4.00 mm Thk H/d)

We can make any size and any thickness according to our client requirement.



AL-FARES INTERNATIONAL CO.  
STEEL INDUSTRY & SCAFFOLDING

## Al Fares International Co.

### Cup Lock Scaffolding.

#### **18, Double Push pull prop**



Designed in keeping with British standards these adjustable props/struts are of high grade steel. These props provide the ideal and most economic method of support for all kinds of walls & Columns

#### Available Standard Sizes

1, 4.00 m X ( 3.20 mm Thk L/d) or (4.00 mm Thk H/d)

2, 5.00 m X ( 3.20 mm Thk L/d) or (4.00 mm Thk H/d)

3, 6.00 m X ( 3.20 mm Thk L/d) or (4.00 mm Thk H/d)

We can make any size and any thickness according to our client requirement.

#### **19, Turn buckle prop**



These props provide the ideal and most economic method of support for all kinds of walls & Columns

#### Available Standard Sizes

1, 4.00 m X (5.00 mm Thk H/d)

2, 5.00 m X (5.00 mm Thk H/d)

3, 6.00 m X (5.00 mm Thk H/d)

4, 10.00 X (5.00 mm Thk H/d)

We can make any size and any thickness according to our client requirement.



AL-FARES INTERNATIONAL CO.  
STEEL INDUSTRY & SCAFFOLDING

## Al Fares International Co.

### Cup Lock Scaffolding.

#### **20, Steel Board**



Made of 2.0 mm thickness steel

#### Available Standard Sizes

1, 3.00 m

2, 2.50 m

3, 2.00 m

4, 1.80 m

5, 1.60 m

6, 1.50 m

7, 1.35 m

8, 1.30 m

9, 1.20 m

10, 1.00 m

11, 0.90 m

12, 0.60 m

We can make any size and any thickness according to our client requirement.

#### **21, Wooden Plank**



Scaffolding wooden Plank 38 mm x 225 mm

#### Available Standard Sizes

1, 4.00 m

2, 3.00 m

3, 2.00 m

4, 1.00 m

We can make any size and any thickness according to our client requirement.



AL-FARES INTERNATIONAL CO.  
STEEL INDUSTRY & SCAFFOLDING

## Al Fares International Co.

### Cup Lock Scaffolding.

#### 22, OSHA approved LVL Plank



Scaffolding wooden Plank 38 mm x 225 mm  
Different made are available (China, Finland & USA)

#### Available Standard Sizes

- 1, 4.00 m
- 2, 3.00 m
- 3, 2.00 m
- 4, 1.00 m

We can make any size and any thickness according to our client requirement.

#### 23, Fixed steel Column panel



Made with Steel 2 mm steel plate

#### Available Standard Sizes

- 1, 0.50 m X 0.50 m
- 2, 1.00 m X 1.00 m
- 3, 1.50 m X 1.50 m
- 4, 2.00 m X 2.00 m

We can make any size and any thickness according to our client requirement.



AL-FARES INTERNATIONAL CO.  
STEEL INDUSTRY & SCAFFOLDING

## Al Fares International Co.

### Cup Lock Scaffolding.

#### **24, Fixed steel Circular Column panel**

Made with Steel 2 mm bended steel plate



#### Available Standard Sizes

1, 0.50 m  $\phi$

2, 1.00 m  $\phi$

3, 1.50 m  $\phi$

4, 2.00 m  $\phi$

We can make any size and any thickness according to our client requirement.

#### **25, Adjustable steel Column panel**

Made with Steel 2 mm steel plate /Playwood



#### Available Standard Sizes

1, 0.50 m X 0.50 m

2, 1.00 m X 1.00 m

3, 1.50 m X 1.50 m

4, 2.00 m X 2.00 m

We can make any size and any thickness according to our client requirement.





AL-FARES INTERNATIONAL CO.  
STEEL INDUSTRY & SCAFFOLDING

## Al Fares International Co.

### Cup Lock Scaffolding.

#### 26, Adjustable Wall panel



Made with Steel 2 mm steel plate  
/Playwood

#### Available Standard Sizes

1, 0.50 m X 0.50 m

2, 1.00 m X 1.00 m

3, 1.50 m X 1.50 m

4, 2.00 m X 2.00 m

We can make any size and any  
thickness according to our client  
requirement.

#### 27, Heavy Duty Wall Formwork panel



Made with Steel 4mm steel plate

We can make any size and any thickness  
according to our client requirement.



AL-FARES INTERNATIONAL CO.  
STEEL INDUSTRY & SCAFFOLDING

*Al Fares International Co.*

*Cup Lock Scaffolding.*

**28, Korean Frame**

Made with Steel 2mm steel pipe

